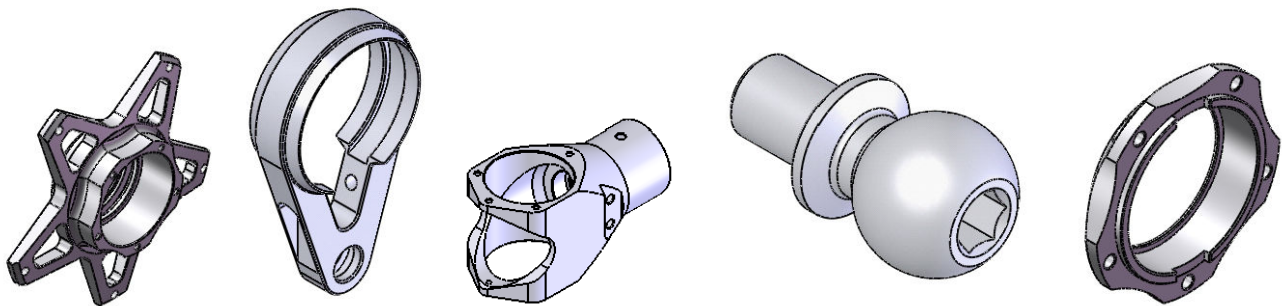




Absolute Turn, Inc. Specializes in Multi-Axis Turning & Milling.  
Our machines can improve the quality and reduce the cost of your parts by increasing the amount of operations done in a single set-up.

- Twin Spindle - 8 Axis Capabilities
- 2" Thru - Feed Bar Stock
- 8" Chucking
- Swiss Type Turning - 8 Axis Capabilities
- Custom Machine Building and Design Capabilities
- Prototype Through Full Production
- Highly Skilled Workforce with Strong Customer Relations
- Quality Parts, Excellent Prices & On Time Delivery



*Absolute Turn, Inc.  
1704 S Wolf Rd  
Wheeling, IL 60090*

*phone: 847-459-4629  
fax: 847-459-4645*

*e-mail: [Sales@AbsoluteTurn.com](mailto:Sales@AbsoluteTurn.com)  
web site: [www.AbsoluteTurn.com](http://www.AbsoluteTurn.com)*